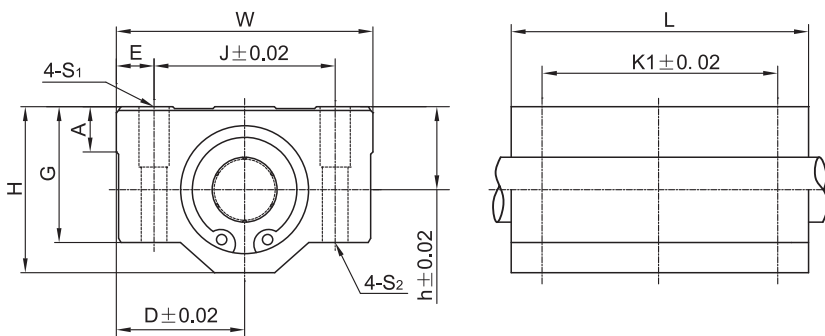


LIN-11GL 长设计直线轴承座 Housing bearings, long design



- 封闭式加长型轴承座设计
- 装配2个LIN-11R直线轴承
- 阳极氧化铝合金座孔
- 螺栓固定
- 免维护、低噪音
- 适用于污垢或灰尘环境
- 使用温度 -50℃/+90℃
- Closed housing design and increased the guide length
- Assembled 2pcs linear bearings LIN-11R
- Anodized aluminum housing
- Secured by bolts
- Maintenance-free and low noise
- Resistance to dirt and dust
- Operation temperature -50℃/+90℃

标准规格 Standard specifications



产品编码 Part No.:

LIN-11GL-16

- 轴承内径 Inner diameter
- 长设计直线轴承座 Pillow block, long design
- LIN-11R直线轴承 Standard bearings LIN-11R

轴 Shaft: h6-h9

产品编码 Part No.	内装轴承 Bearing [mm]	轴径 Shaft [mm]	尺寸 Size [mm]											
			h	D	W	H	G	A	J	E	S ₁	S ₂	K	L
LIN-11GL-12	2 × LIN-11R-12	12	15	22	44	30	24	8	33	5.5	M5*12	Φ4.3	64	77
LIN-11GL-16	2 × LIN-11R-16	16	19	25	50	38.5	32.5	9	36	7	M5*12	Φ4.3	79	89
LIN-11GL-20	2 × LIN-11R-20	20	21	27	54	41	35	11	40	7	M6*12	Φ5.2	90	106
LIN-11GL-25	2 × LIN-11R-25	25	26	38	76	51.5	41	12	54	11	M8*12	Φ7	119	136
LIN-11GL-30	2 × LIN-11R-30	30	30	39	78	59.5	49	15	58	10	M8*12	Φ7	132	154
LIN-11GL-40	2 × LIN-11R-40	40	40	51	102	78	62	20	80	11	M10*12	Φ8.7	150	180
LIN-11GL-50	2 × LIN-11R-50	50	52	61	122	102	80	24	100	11	M10*12	Φ8.7	200	230

产品编码 Part No.	内径 I.D [mm]	公差 Tolerance [mm]	F max. [N] 最大动载荷 Dynamic Load P=5MPa	F max. [N] 最大静载荷 Static Load P=35MPa	重量 Weight [g]
LIN-11GL-12	12	+0.030/+0.088	1920	13440	210
LIN-11GL-16	16	+0.030/+0.088	2880	20160	250
LIN-11GL-20	20	+0.030/+0.091	4500	31500	318
LIN-11GL-25	25	+0.030/+0.091	7250	50750	686
LIN-11GL-30	30	+0.040/+0.110	10200	71400	905
LIN-11GL-40	40	+0.040/+0.115	16000	112000	2041
LIN-11GL-50	50	+0.040/+0.130	18000	175000	5215